

# Smart EV Charger

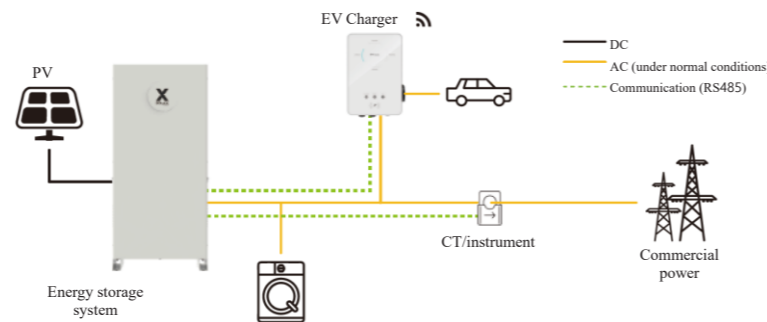
## J1-EVC 6K



Main unit dimension diagram



Schematic diagram



### J1-EVC-6K

Rated AC input	
Power supply method	Single-phase 3-wire type
Voltage	200V; L1/L2/PE
Frequency	50Hz/60Hz
Rated AC output	
Voltage	200V; L1/L2/PE
Current	30A
Power	6kW
Communication	
Wireless mode	Wi-Fi 2.4GHz
RS485	Available
RFID	Available
OCPP 1.6(JSON)	Available
CT clamp	x2
Overview	
Material composition	Plastics/metal
Installation methods	Wall-mounted installation (Optional: Freestanding bracket installation)
Wall-mounted bracket	Available
Charging plug	SAE J1772
Cable length	6.5 m (optional accessory 7.5 m)
Operating temperature range	-30°C to +50°C
Working humidity range	5%~95% (no frost formation)
Service altitude	< 2000 m
Protection level	IP65
Installation site	Indoor • outdoor
Cooling mode	Natural air cooling
Weight	8.8 kg
Dimension	Width 265 × Height 370 × Depth 155 mm
Safety protection	
Multiple protection function	Overvoltage/undervoltage protection, overload protection, short circuit protection, leakage protection, grounding protection, surge protection, overheating protection
Ground leakage protection	Current abnormality monitoring function
Encrypted communication	TLS
Security standards	PSE/JARI (planned to obtain)

※Product specifications are subject to upgrades and changes without prior notice.



### Product Features

- 6kW High power
- Equipped with grounding protection function
- TLS Encrypted Communication
- Easy indoor and outdoor setting
- By communication between the smart EV charger and SolaX inverter, an ecosystem of solar power generation, energy storage, and EV charging is formed
- 100% Using green energy sources such as solar power generation, wind power generation, etc.
- Equipped with RFID functionality
- Full utilization of solar energy
- Remote monitoring/management
- Peak shaving and valley filling control